

# BIS IKS-2000®



*Cut mounting strip to length*



*Fix spacer to pipe*



*Place text card in holder*



*Click holder on spacer*

## On-the-spot commercial exposure

- Professional appearance
- Flexible in printing options
- Easy installation
- Various fixing options
- Quick access to information
- Durable commercial exposure

# BIS IKS-2000®

## Why place identification on pipes?

The identification of pipe contents in piping installations is getting more and more significant. In case of emergency it is important to have quick access to the information

about the contents and possible flow direction of the pipes involved. In addition, pipe identification makes the installation easier accessible for quick maintenance.

## On-the-spot commercial exposure

BIS IKS-2000® is a personal and professional solution for pipe identification. Next to the information about the contents of the pipe, contractors can have their name, logo and additional information printed on the cards.

## Features and benefits

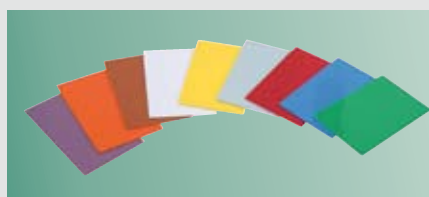
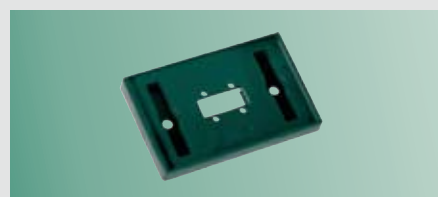
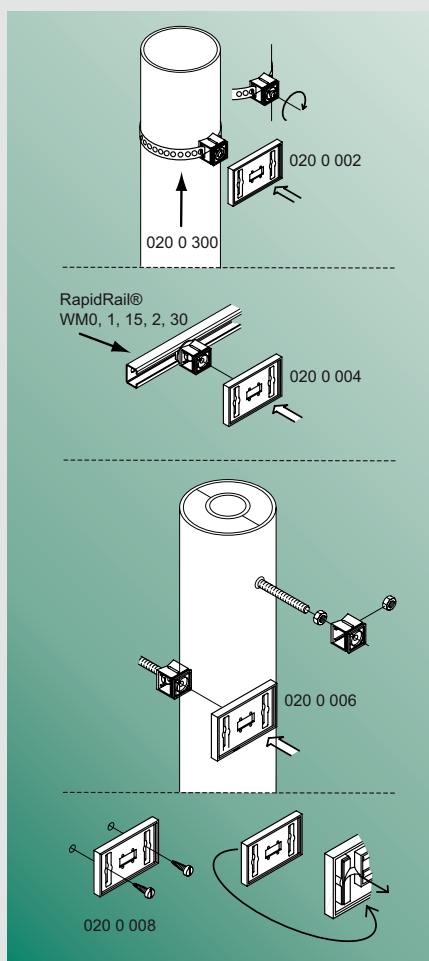
- Professional appearance
- Flexible in printing options
- Easy installation
- Various fixing options
- Quick access to information
- Durable commercial exposure

## Fixing options

BIS IKS-2000® is available in two basic fixing options.

The first one is for pipe mounting, mainly for pipe content and contractor information. The BIS IKS-2000® card holder pipe mounting is to be used with the BIS IKS-2000® mounting strip.

The second one is for wall mounting. The BIS IKS-2000® card holder wall mounting has two self-adhesive strips on the back, but can also be fixed with screws.



## Printing options

BIS IKS-2000® is designed to work with plastic cards (PVC) of credit card format. White text cards are available for printing on your own system.

Additionally a BIS IKS-2000® card holder transparent cover plate is available, which allows for printing a paper card from a desktop printer to be placed behind it.

Deutschland  
Österreich – Schweiz – South East Europe

**BIS Walraven GmbH**  
Postfach 125128  
95425 Bayreuth (DE)  
Tel. +49 (0)921 75 60 0  
Fax +49 (0)921 75 60 111  
info@bis-walraven.de



## Walraven Group

Mijdrecht (NL) · Tienen (BE) · Bayreuth (DE)  
Grenoble (FR) · Banbury (GB) · Madrid (ES)  
Mladá Boleslav (CZ) · Kraków (PL)  
Detroit (US)

[www.walraven.com](http://www.walraven.com)

Your wholesaler

