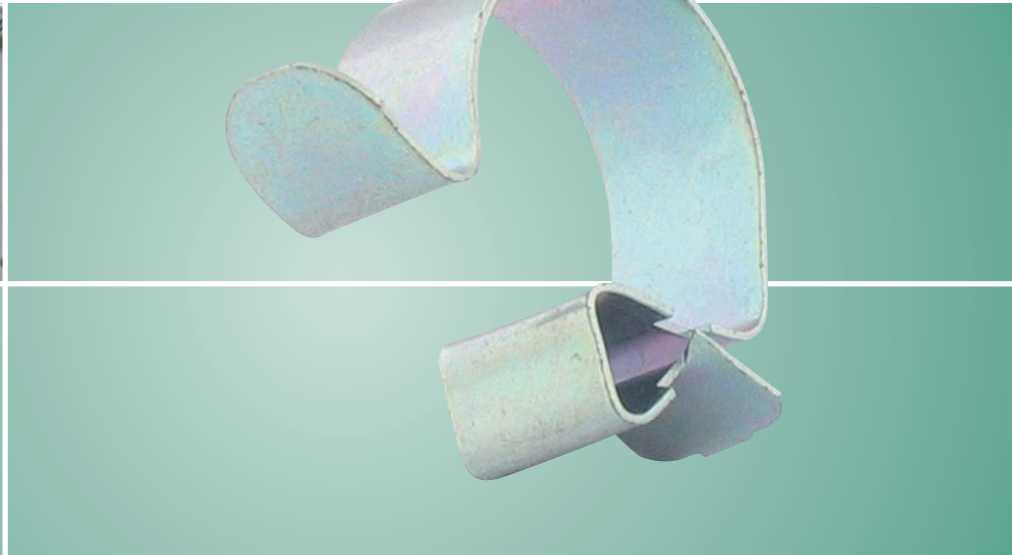


## BISCLIPS® GAM8 The efficient clip



*For cables and electro pipes*



*Practical packaging*



*Only 8 clips for Ø 6 - 32 mm*

### Benefits:

- For fixing of cables and electrical conduit pipes in Ø 6 - 32 mm
- For girders 2 - 12 mm
- Suitable for outdoor use
- Compact range: only 8 clips
- Less shelf space, less logistics!

# BISCLIPS® GAM8

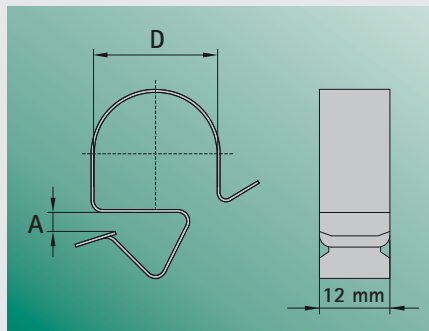
## The efficient clip

The BISCLIPS® GAM8 is a unique clip for fixing of pipes or cables to steel girders. The GAM8 range consists of only 8 clips. Nevertheless this is still sufficient to fix all types of electro pipes and cables in Ø 6 - 32 mm.

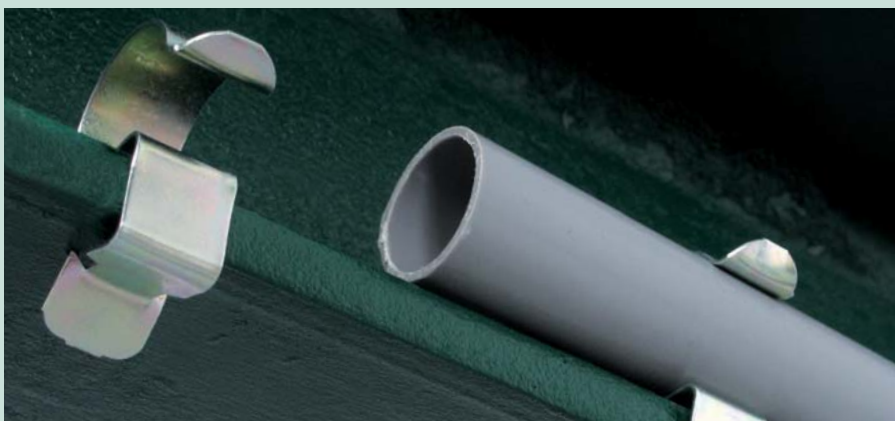
The clip is suitable for outdoor use. The compact range requires less shelf space and less logistic costs. The clips are packed in a practical stacking bin, which helps you to keep your warehouse and company van organised.

### Benefits

- Clip for fixing of cables, electro pipes and other applications with statistic load
- For all types pipe Ø 6 - 32 mm
- For grids 2 - 12 mm
- Compact range, only 8 clips: less shelf space, less logistics
- Suitable for outdoor use
- Packed in practical stacking bin with transparent cover
- Material: tempered steel
- Surface treatment: plated CRIII, corrosion resistant, 600 hours in salt spray test according to DIN 50021



Part No.	Code	D (mm)	A (mm)	Stacking bin (pc.)
5209 0 709	BPG826100	6 - 9	2 - 7	100
5209 0 714	BPG8210100	10 - 14	2 - 7	100
5209 0 721	BPG8215100	15 - 21	2 - 7	100
5209 0 732	BPG8222100	22 - 32	2 - 7	100
5209 1 209	BPG886100	6 - 9	8 - 12	100
5209 1 214	BPG8810100	10 - 14	8 - 12	100
5209 1 221	BPG8815100	15 - 21	8 - 12	100
5209 1 232	BPG8822100	22 - 32	8 - 12	100



#### The Netherlands Scandinavia - Finland

**Walraven B.V.**  
P.O. Box 15  
3640 AA Mijdrecht (NL)  
Tel. +31 (0)297 23 30 00  
Fax +31 (0)297 23 30 99  
info@walraven.com



#### United Kingdom Ireland

**Walraven Ltd.**  
Thorpe Way, Banbury  
Oxon, OX16 4UU (GB)  
Tel. +44 (0)1295 75 34 00  
Fax +44 (0)1295 75 34 28  
sales.banbury@walraven.com



#### Germany Austria - Switzerland - South East Europe

**Walraven GmbH**  
Postfach 125128  
95425 Bayreuth (DE)  
Tel. +49 (0)921 75 60 0  
Fax +49 (0)921 75 60 111  
info@walraven.de

#### Other countries

**Walraven International**  
P.O. Box 15  
3640 AA Mijdrecht (NL)  
Tel. +31 (0)297 23 30 00  
Fax +31 (0)297 28 64 09  
export@walraven.com



#### Walraven Group

Mijdrecht (NL) · Tienen (BE) · Bayreuth (DE)  
Grenoble (FR) · Banbury (GB) · Madrid (ES)  
Mladá Boleslav (CZ) · Kraków (PL) · Kyiv (UA)  
Moscow (RU) · Rochester Hills - Detroit (US)

[walraven.com](http://walraven.com)

Your wholesaler: