

CAN MAKE  
**BIG**  
DIFFERENCE.

walraven

walraven

New and improved!

Small  
CHANGES  
**A**

Find out how we can support you

Would you like to find out more about any of the solutions described in this brochure?  
Or would you like to discuss how we could help you find the best possible solution for your project? Get in touch today!

**United Kingdom  
Ireland**

**Walraven Ltd.**  
Thorpe Way, Banbury (GB)  
Oxon, OX16 4UU  
Tel. +44 (0)1295 75 34 00  
Fax +44 (0)1295 75 34 28  
sales.uk@walraven.com

**The Netherlands**

**Walraven B.V.**  
P.O. Box 15  
3640 AA Mijdrecht (NL)  
Tel. +31 (0)297 23 30 00  
Fax +31 (0)297 23 30 99  
info.nl@walraven.com

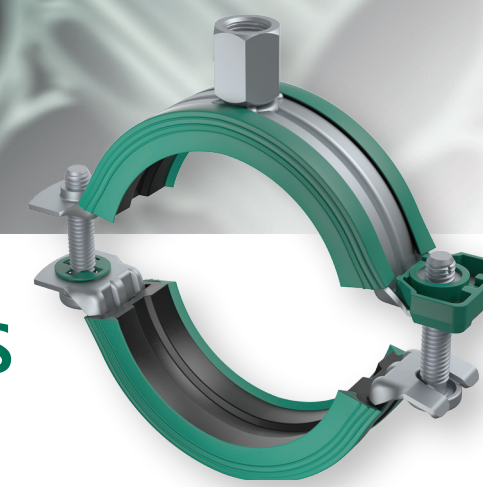
**Walraven Group**

Mijdrecht (NL) · Tienen (BE) · Bayreuth (DE) · Banbury (GB) · Malmö (SE) · Grenoble (FR) · Barcelona (ES) · Kraków (PL)  
Mladá Boleslav (CZ) · Moscow (RU) · Kyiv (UA) · Detroit (US) · Shanghai (CN) · Dubai (AE) · Budapest (HU)



**Light 2-Screw clamps**

For insulated and uninsulated pipes





## 2S clamps

Standard pipe clamps, gapless range

### Product information

With the 2S Walraven offers a standard clamp to fix steel, copper and multilayer pipes Ø 10 mm up to and including Ø 225 mm. The gapless range, available with both rubber lining and without lining, has an optimised steel design and provides a solution for every medium load in accordance to RAL GZ-655.

### Features and benefits

- Two-screw clamp
- For insulated and uninsulated pipes
- Gapless range Ø 10 - 225 mm
- Material: Steel
- Surface treatment: Zinc plated
- Lining: EPDM
- Standard clamp with optimised steel design
- Screws secured with anti-loss washer
- Good strength vs material usage
- Medium safe load according RAL GZ-655

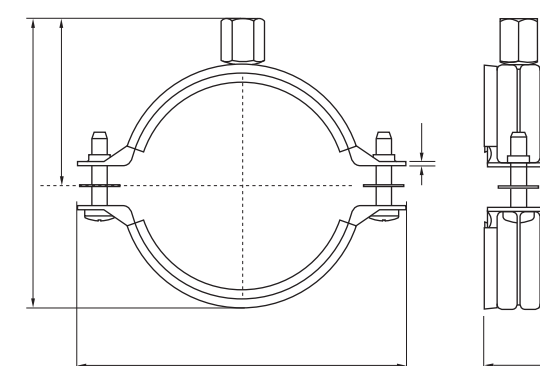
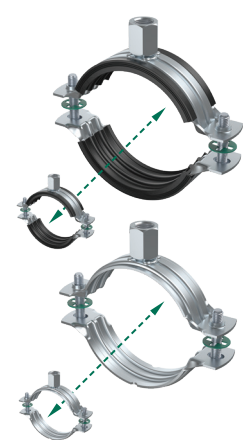
### Type of pipe

- Steel
- Copper
- Plastic (multilayer)



### Gapless range

The 2S clamp range covers all diameters from Ø 10 - 225 mm, in both the EPDM lined and unlined version.



## KSB2 clamp

Quick and flexible mid-range pipe clamp

### Product information

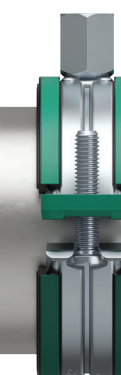
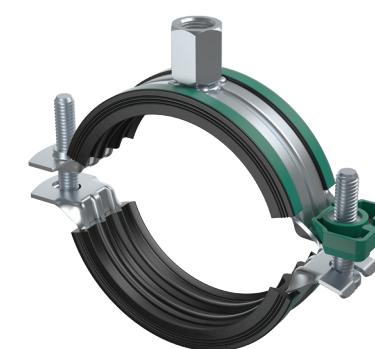
The KSB2 clamp offers a comfortable solution for fixing steel, copper and multilayer pipes, Ø 10 - 225 mm. The improved quick closing mechanism is simply closed with one hand, which makes it easier and faster during installation. The optimised range with EPDM lining, is designed to hold medium loads in accordance to RAL GZ-655 and offers noise reduction (DIN 4109).

### Features and benefits

- Two-screw clamp
- For uninsulated pipes
- Optimised range Ø 10 - 225 mm
- Material: Steel
- Surface treatment: Zinc plated
- Lining: EPDM
- Quick closing mechanism
- Good strength vs material usage
- Medium safe load according RAL GZ-655
- Noise reduction according DIN 4109

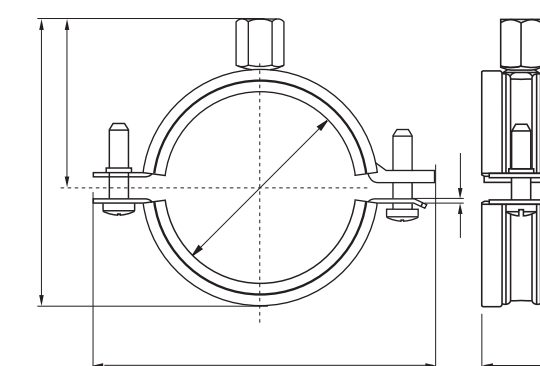
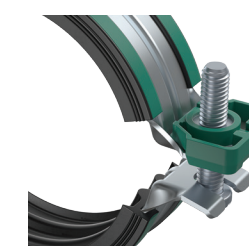
### Type of pipe

- Steel
- Copper
- Plastic (multilayer)



### Easy fixing

The experience of fast and easy installation with an optimised range. A PP cast nut provides an easy to use quick closing mechanism.



## Bifix® G2 clamps

Premium pipe clamps, for in- and outdoor use

### Product information

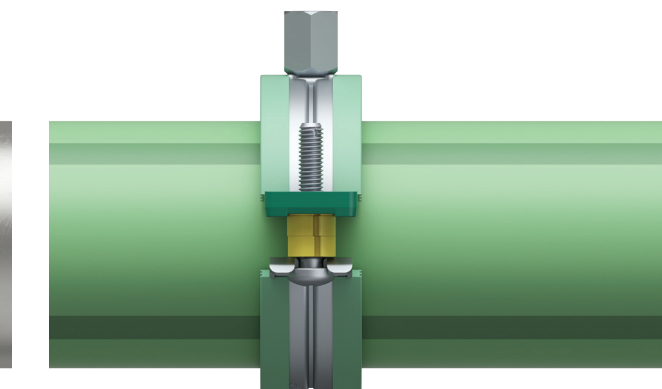
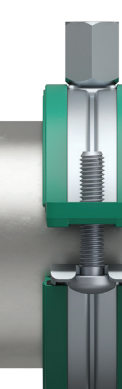
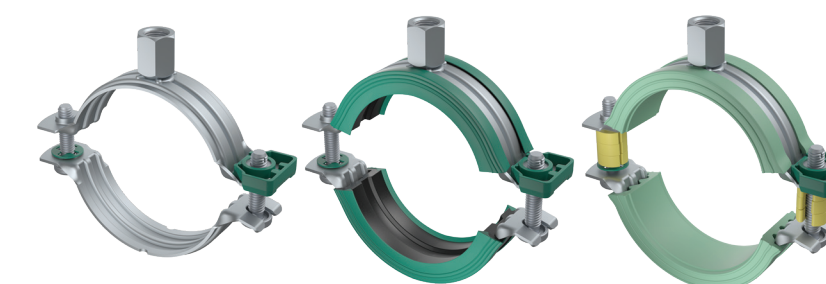
Bifix® G2 offers a unique and premium line of clamps covering all types of pipe fixing solutions, both in- and outdoors. The optimised range consists of both lined and unlined clamps for steel, copper and multilayer pipes, Ø 10 - 225 mm. The new 2 component EPDM lining improves the product's ease of installation as well as the noise reduction properties (DIN 4109). Strength wise the Bifix® G2 holds medium to high loads, in accordance with both RAL GZ-655 and RAL GZ-656 under fire conditions. The Bifix® 5000 G2 is specifically designed for PE pipes and allows either fixing or sliding to handle the pipe expansion.

### Features and benefits

- Two-screw clamp
- For insulated and uninsulated pipes
- Optimised range Ø 10 - 225 mm
- Material: Steel
- Surface treatment: BIS UltraProtect® 1000
- Lining: 2 component EPDM
- Improved lining for easy installation
- Quick closing mechanism
- Good strength vs material usage
- Medium-High safe load according RAL GZ-655 and RAL GZ-656
- Noise reduction according DIN 4109

### Type of pipe

- Steel
- Copper
- Plastic (all)



### 2 component EPDM lining

Allows easy assembly and positioning of pipes. When tightening the screws, the pipe will rest on the soft black lining for increased noise dampening.

