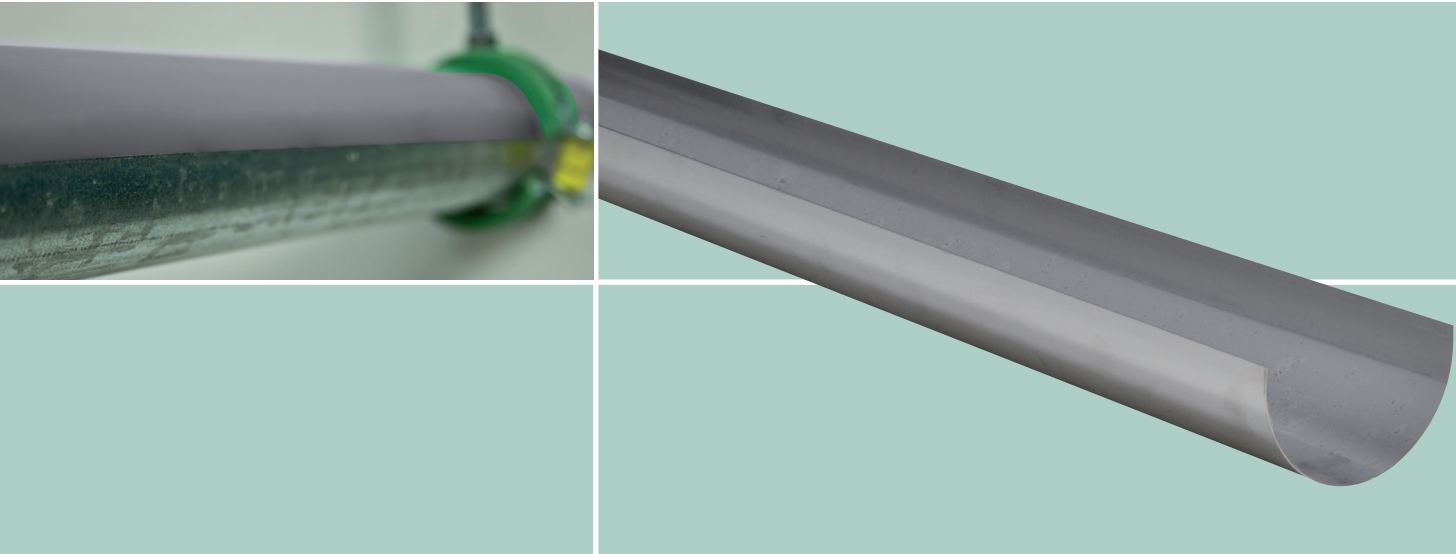


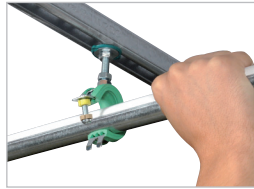
# Pipe Reinforcement for Plastic Pipe – PEX and PP



*Snap plastic pipe or tubing into Pipe Reinforcement*



*Pre-mount Bifix® 5000 G2 clamps on strut or rail*



*Place reinforced pipe into clamp*



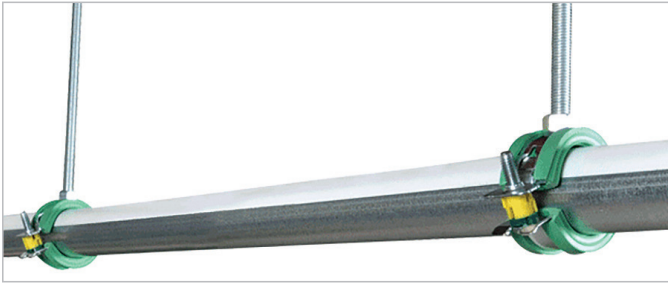
*Patented quick-closing feature allows for one-handed installation*



*Tighten clamp to complete installation*

- Walraven clamps and Pipe Reinforcement are Plenum rated – see plastic pipe manufacturers instructions for pipe's Plenum rating
- Extends distance between supports – allows PEX pipe to follow the same support requirements as copper up to 1-1/2"
- Less pipe clamps required
- Provides continuous support of plastic pipe
- Keeps plastic pipe straight
- For new installations – use PEX pipe, but follow the same support requirements of copper up to 1-1/2"
- For re-piping installations – replace copper with PEX pipe (up to 1-1/2") and use existing clamps, no additional support needed
- Self-gripping – snaps pipe into place
- Can insulate around reinforcement and pipe

## Pipe Reinforcement



Pipe Reinforcement in use with Bifix® 5000 G2 Clamps



Insulate over both plastic pipe and pipe reinforcement



### PEX Pipe Reinforcement

Item Number	D/CTS (inches)	D/IPS (inches)	L (feet)	L (meters)	Recommended hanger spacing*	Items per bundle
PSU050	1/2	-	10	3.048	72"	5
PSU075	3/4	1/2	10	3.048	72"	5
PSU100	1	3/4	10	3.048	96"	5
PSU125	1-1/4	1	10	3.048	96"	5
PSU150	1-1/2	1-1/4	10	3.048	96"	5
PSU200	2	-	10	3.048	96"	5

\*At room temperature. For higher temperatures, check PEX pipe supplier recommendations. Larger sizes available. Please contact your local sales office.

- Self-gripping and continuous support for plastic pipes to prevent unsatisfactory curvature, bending or snaking
- Allows for longer distance between supports
- Reinforcement fits inside insulation
- Lightweight and economical, also 10 foot lengths are easy to handle which speeds installation of plastic pipes
- Insulation can be installed over both the plastic pipe and pipe reinforcement
- Cut to size with basic hand tools
- Material: Pre-galvanized steel - 20 gauge

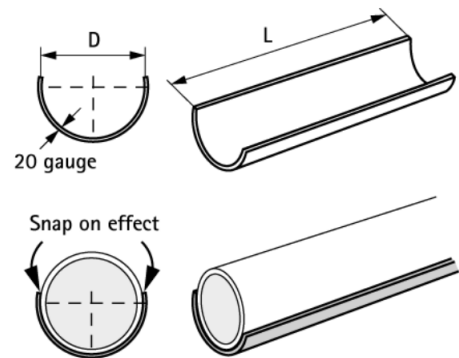
### PP Pipe Reinforcement

Item Number	D (mm)	L (feet)	L (meters)	Recommended hanger spacing*	Items per bundle
PRM016	16	9.85	3	60"	5
PRM020	20	9.85	3	72"	5
PRM025	25	9.85	3	72"	5
PRM032	32	9.85	3	96"	5
PRM040	40	9.85	3	96"	5
PRM050	50	9.85	3	96"	5
PRM063	63	9.85	3	96"	5
PRM075	75	9.85	3	96"	5
PRM090	90	9.85	3	96"	5
PRM110	110	9.85	3	96"	5
PRM125	125	9.85	3	96"	5
PRM160	160	9.85	3	96"	5
PRM200	200	9.85	3	96"	5
PRM250	250	9.85	3	120"	5
PRM315	315	9.85	3	120"	5

\*At room temperature. For higher temperatures, check PP pipe supplier recommendations. Larger sizes available. Please contact your local sales office.

### PEX Pipe Spacing Recommendations Using Walraven Pipe Reinforcement

Nominal pipe size	Spacing for bare PEX pipe			Spacing with Walraven pipe reinforcement
	International Code: IPC and IMC	Uniform Codes: UPC and UMC	Canadian Code: NPCC	All Codes
1/2"	32" (0.8m)	32" (0.8m)	32" (0.8m)	72" (1.8m)
3/4"	32" (0.8m)	32" (0.8m)	32" (0.8m)	72" (1.8m)
1"	32" (0.8m)	32" (0.8m)	32" (0.8m)	96" (2.4m)
1-1/4"	32" (0.8m)	48" (1.2m)	32" (0.8m)	96" (2.4m)
1-1/2"	32" (0.8m)	48" (1.2m)	32" (0.8m)	96" (2.4m)
2"	32" (0.8m)	48" (1.2m)	32" (0.8m)	96" (2.4m)



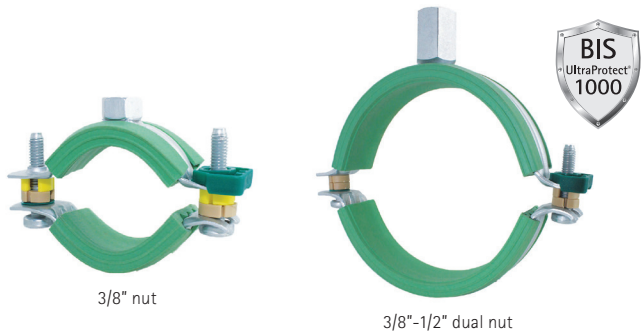
## Pipe Reinforcement can be used with the following Walraven products



### Cable Ties – stainless steel

- Secures Pipe Reinforcement to plastic pipe
- Self-locking for a secure mount
- High resistance to moisture, corrosion and temperature
- Made of black PVC coated stainless steel

Item #	Fits PEX size (inches)	Fits pipe size (mm)	Items per pkg.
09970150	1/2 to 1	16-25	15
09970260	1-1/4 to 2	32-63	15
09970520	2-1/2 to 3-1/2	75-125	15



### Bifix® 5000 G2

- Two-screw clamp
- Quick-locking system - interlocking feature for a more secure installation
- With removable space washers, making the clamp suitable for either sliding or anchoring
- Surface protected by the BIS UltraProtect® 1000 system
- Noise insulating lining according to DIN 4109
- Age resistant green EPMD lining, specific for application with plastic pipes
- Inner part of lining is smooth to improve sliding of pipe in clamp

Item number	Replaces BISMAT item #	D/CTS (inches)	D/IPS (inches)	D (mm)	Nut size (inches)	Items per box
CR3189019	CR3489018	1/2	1/4	14-17	3/8	50
CR3189023	CR3489023	5/8	1/2	19-23	3/8	50
CR3189028	CR3489028	1	3/4	26-28	3/8	50
CR3189039	CR3489035	1-1/4	1	32-35	3/8	50
CR3189045	CR3489043	1-1/2	1-1/4	40-43	3/8	50
CR3189052	CR3489053	-	-	47.9-49	3/8	50
CT3189058	CR3489056	2	-	53-54	3/8	50
CR3189064	CR3489058	-	2	60	3/8	50
CR3189070	CR3489067	2-1/2	-	66-67	3/8	50
CR3189079	CR3489075	-	2-1/2	73-74	3/8	50
CR3189105	CR3489090	-	3	78.7-92	3/8-1/2 dual nut	25
CR3189115	CR3489110	-	4	110-114	3/8-1/2 dual nut	25
CR3189130	CR3489125	5	-	125-130	3/8-1/2 dual nut	25
CR3189160	CR3489160	6	-	156	3/8-1/2 dual nut	10



### RapidStrut® Hammerfix

- For use with 3/8" threaded rod
- Slide nut with threaded rod, washer and RapidStrut® spring
- Retains assembly in place before final tightening
- Replaces tee-nut, washer and threaded rod with one piece assembly
- No need to measure and cut rod
- Surface protected by the BIS UltraProtect® 1000 system
- Suitable for indoor and outdoor applications

Item #	Threaded rod length (inches)	For rail	Fa,x (lbs)	Items per pkg.
SR6528005	1/2	Strut	1,686	15
SR6528007	3	Strut	1,686	10
SR6528011	4	Strut	1,686	5
SR6528016	6	Strut	1,686	5



### Quick Hanger Bolt

- Easy attachment of 3/8" threaded rod clamps
- Installs on metal studs, wood studs or Walraven bracket systems
- Quick to install
- Adapter (female) to attach 3/8" threaded rod
- Torx bit included for quick installation with screw gun

Item #	Size (inches)	Items per pkg.
6353991 (male)	3/8	200
6353992 (female)	3/8	100